

the **natural** for *evolution* **YOUR** business



MAKO CTP SERIES

MAKOs bring maximum CTP benefits, reducing operating costs and delivering improved quality on press, through their combination of simplicity, versatility and low cost of ownership.



Simplicity

Simplicity is the cornerstone of the MAKO design. Queue up the imposed job, punch a plate, position it against the pin bar system and select "OK". The MAKO will do the rest. Using a straight-through imaging path, with no complex load/unload cycle, the plate is efficiently and accurately imaged before processing.

Versatility

MAKO platesetters can accommodate any plate size and thickness within their specified range. For multi-press shops, this means that you can convert all your 2-, 4- and 6-page presses to CTP production using one platesetter.

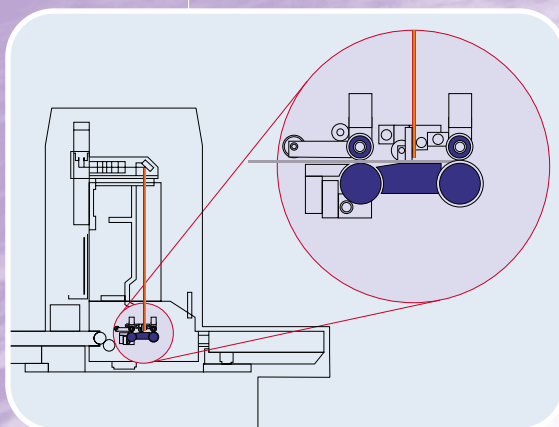
restrictions on pin configurations or press type. This eliminates the need to change your existing workflow or to purchase costly transfer punches.

Cost of Ownership

Due to their simple design MAKOs have the lowest cost of ownership in their class. They provide a full range of features at a fraction of the cost of competitive systems. Two MAKO CTP models match every production need and budget:

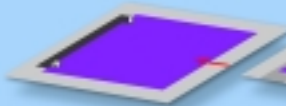
MAKO 2 CTP – the world's most cost-effective entry-level platesetter, providing a simple stepping stone into CTP production for press formats up to 22.0" x 26.4" (560mm x 670mm)


MAKO 4 CTP – full featured CTP solution, featuring online processor transport, CtServer software, computer platform and a format that matches the widest range of 4/6-page presses.

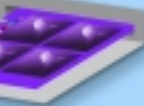


The MAKO CTP registration system is the most flexible and printer friendly in the industry. There are no

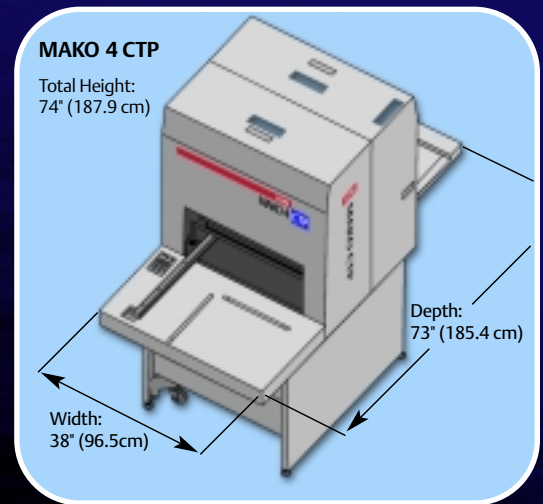
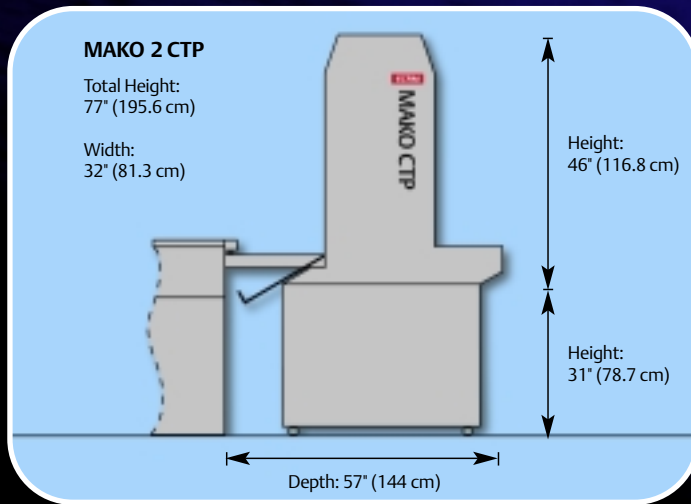
Three easy steps to MAKO 4 platemaking

- 

① Plate aligned against pin bar registration system
File released
Automatic exposure setting
- 

② Plate moves under imaging head
Position controlled by Precision Drive System to within $\pm 2\mu$
- 

③ Plate automatically moves to either:
Online processor (MAKO 4 CTP)
Collection tray (MAKO 2 CTP)



SPECIFICATIONS

MAKO 2 CTP Plate sizes

Maximum:
22.0" x 26.4" (560 mm x 670 mm)
Minimum: 8.9" x 9.9"
(228 mm x 252 mm)
*Use an edge registration pin bar
for plate sizes over 22.0" x 22.0"*
(560mm x 560mm)

MAKO 4 CTP Plate sizes

Maximum:
25.4" x 37.8" (645 mm x 960 mm)
Minimum: 8.9" x 9.9"
(228 mm x 252 mm)

Media Types

Violet-sensitive metal plates.
See media specifications for
safe-light information

Recording Source

Violet laser diode (405 nm),
available for photopolymer or silver
halide plates

Resolutions

Seven resolutions from 1200 to
3556 dpi (472 to 1400 dpcm)
Resolution sets dependent on
media type – up to seven choices

Maximum Line Screen

200 lpi (78.7 lpcm). Media dependent

Repeatability

0.001" (0.025mm) typical over six
consecutive separations on plate.
May vary according to media type
and processing conditions

MAKO 2 CTP Processing

Plates are moved to the processor
manually – automatic bridge option
available

MAKO 4 CTP Processing

Online: The plate transport
automatically moves the plate into
the processor

Environmental

Power: 100 - 240 Volts;
3 Amps; 250 Watt maximum;
50/60Hz, single phase
Heat Dissipation: 850 BTU/hour

MAKO 2 CTP Weight

280 lbs (127 kg)

MAKO 4 CTP Weight

320 lbs (145.5 kg)

MAKO CTP Operating Conditions

62 - 86° F (17 - 30° C); relative
humidity 45 - 65%, non-condensing.
Relative humidity outside of this
range may affect performance

Operating conditions outside plate
media specifications may affect
performance

DEALER STAMP

ECRM® Imaging Systems

www.ecrm.com

ECRM Headquarters:

554 Clark Road
Tewksbury MA 01876
USA
Tel: (+1) 978.851.0207
Fax: (+1) 978.851.7016
sales@ecrm.com

ECRM Sales Offices:

3 Century Court, Tolpits Lane
Watford, Hertfordshire
WD18 9PU, UK
Tel: (+44) 1923.218.255
Fax: (+44) 1923.218.256
sales_uk@ecrm.com

Room 1508 Nanyang Plaza
57 Hung To Road
Kwun Tong, Kowloon
Hong Kong
Tel: (+852) 2564.8989
Fax: (+852) 2564.8821
sales_hk@ecrm.com

Room 1135-1136
Office Tower 1 Beijing Junefield Plaza
No. 6 Xuan Wu Men Wai Da Jie.
Beijing 100052, China
Tel: (+86)10 63109010/11/12
Fax: (+86)10 63109013
sales_hk@ecrm.com



All ECRM products carry the CE mark.
All products are CSA & CSA/NRTL certified.
Class 1 Laser Products.
ECRM's Tewksbury facility is ISO9001 certified.